

Dual-spectrum Bullet Camera

FC465T



Product Features

- With the latest 12 μ m thermal imaging detector and advanced image algorithm, it can make farther and clearer images.
- Visible imaging and thermal imaging can meet the requirement for 24/7 security monitoring.
- Smart event analysis such as tripwire intrusion and area intrusion are available.
- Support professional temperature measurement analysis tools and smart fire detecting algorithm.
- Support multiple event linkage alarm and sound-light alarm.
- Integrated body design with encapsulation rating IP66.
- Support DC12V or PoE.
- Support ONVIF standard protocols, SDK and accompanying NVR and software are available.

Product Specifications

Technical Specifications		Dual-spectrum Bullet Camera				
Thermal Parameters	Detector Type	VOx, uncooled FPA detectors				
	Spectral Range	8~14μm				
	NETD	≤40mK(@25°C,F#1.0,25Hz)				
	Max. Resolution	640×512				
	Pixel Pitch	12μm				
	Focal Length	9.1mm	13mm	19mm	25mm	35mm
	Focus Type	Athermal fixed focus				
	FOV	48°×38°	33°×26°	22°×18°	17°×14°	12.5°×10.0°
	F#	1.0	1.0	1.0	1.0	1.0
	IFOV	1.32mrad	0.92mrad	0.63mrad	0.48mrad	0.34mrad
	Palette	20 palettes available such as Whitehot/Blackhot/Rainbow.				
Visible Parameters	Sensor	5MP 1/2.8" Progressive Scan CMOS				
	Max. Resolution	2560×1920				
	Focal Length	4mm	6mm	6mm	12mm	12mm
	FOV	65°×50°	46°×35°	46°×35°	24°×18°	24°×18°
	Day/Night Conversion	ICR auto conversion/ Electronic color to B/W				
	IR Illuminator	Max 40m				
Dual-spectrum Parameters	Dual-Spectrum Fusion	Support the thermal image to fuse visible image to improve image details				
	PIP	Support thermal image overlaid on visual image in PIP mode				
Network Functions	Network Protocol	IPv4,HTTP,HTTPS,QoS,FTP,SMTP,UPnP,SNMP,DNS,DDNS,NTP,RTSP,RTCP,RTP,TCP,UDP,IGMP,ICMP,DHCP				
	Interoperability	ONVIF, GB28181, SDK				
	Number of Videos Previewed Simultaneously	Support up to 20 channels				
	User Management	Up to 20 users, two levels: administrator and user				
	Browser	Support IE , Chrome browser, Chinese and English are supported.				
	Max. Resolution	2560×1920(visible),1280×1024(thermal)				
	Image Format	JPEG				

Video Parameters	Audio Compression Standard	G.711a/G.711Mu/AAC/ MPEG2-Layer2
	Video Compression Standard	H.264/H.265
	Main Stream	Visible: 50Hz:25fps(2560×1920,2560×1440,1920×1080,1280×720) 60Hz:30fps(2560×1920,2560×1440,1920×1080,1280×720) Thermal: 50Hz:25fps(1280×1024,1024×768)
	Sub stream	Visible 50Hz:25fps(704×576,352×288) 60Hz:30fps(704×480,352×240) Thermal: 50Hz:25fps(640×512)
Temperature Measurement	Measuring Range	-20℃~+550℃
	Measuring Accuracy	±2℃ or ±2% (The larger value shall prevail)
	Temperature Analysis	Support full frame, spot, line, region temperature measurement rules and linkage alarms
Smart Functions	Fire Warning	Support fire detection
	Smart Video	Alarm trigger recording, disconnection trigger recording
	Smart Alarming	Support triggering alarm and linkage alarm of network disconnection, IP address conflict, memory error, illegal access and burn alarm
	Smart Detecting	Support event analysis functions such as area intrusion, tripwire intrusion, etc.
	Voice Intercom	Support two-way voice intercom
	Linkage Alarm	Video/image/mail/ alarm output / sound and light alarm
System Interface	Power Interface	DC 12V±25% / PoE(802.3af)
	Communication Interface	1 RJ45 10M/100M adaptive Ethernet port
	Audio Interface	1 channel audio input, 1 channel audio output
	Alarm Interface	2-channel alarm input, 2-channel alarm output
	Storage Interface	Micro SD memory (maximum 256G)
	RS485	1 channel RS485
General Specification	Operating Temperature & Humidity	-40℃~+70℃; <95%RH

	Encapsulation Rating	IP66
	Power Consumption	≤8W
	Dimension (mm)	319.5×121.5×103.6mm
	Weight	≤1.8kg

Effective Range

The recommended distance of detection, recognition and identification for human (1.8×0.5m) and vehicle (1.4×4.0m) are as follows:

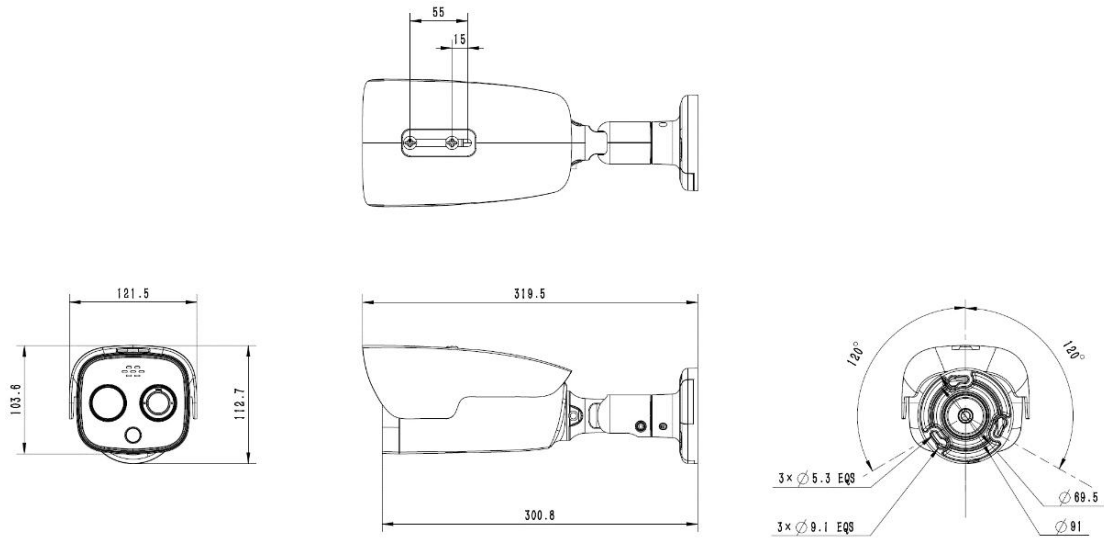
- DD stands for Detection Distance;
- RD stands for Recognition Distance;
- ID stands for Identification Distance;

Lens	DD (Vehicle)	DD (Human)	RD (Vehicle)	RD (Human)	ID (Vehicle)	ID (Human)
9.1mm	1163m	379m	291m	95m	145m	47m
13mm	1661m	542m	415m	135m	208m	68m
19mm	2428m	792m	607m	198m	303m	99m
25mm	3194m	1042m	799m	260m	399m	130m
35mm	4472m	1458m	1118m	365m	559m	182m

Effective Range for Intelligent Analysis

Equipped Lens	Target Recognition Distance (human)	Target Recognition Distance (vehicle)	Temperature Measurement (Target size:2mx2m)	Temperature Measurement (Target size:1mx1m)	Fire Detection (Target size:2mx2m)	Fire Detection (Target size:1mx1m)
9.1mm	71m	218m	253m	126m	1011m	506m
13mm	102m	311m	361m	181m	1444m	722m
19mm	148m	455m	528m	264m	2111m	1056m
25mm	195m	599m	694m	347m	2778m	1389m
35mm	273m	839m	972m	486m	3889m	1944m

Structural Drawings



This datasheet is subject to change without prior notice. Please contact us to get the latest datasheet.